

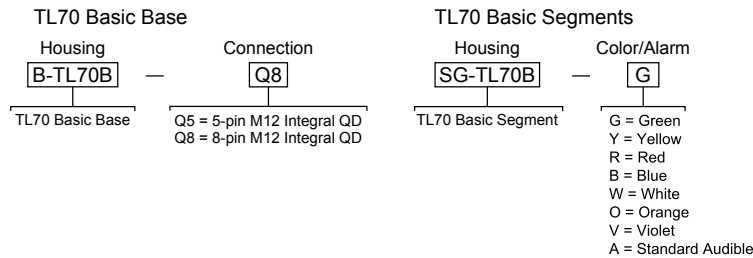
Features



Banner's TL70 Basic Tower Light is a 70 mm, modular LED indicator with bright and uniform light. The modularity gives the user flexibility to customize tower lights as needed and change positions in the field. The TL70 is also available preassembled for easy installation.

- Light segments have user-selectable solid ON or flashing
- Up to five indicator segments, or four indicator segments plus audible, in one device
- Rugged, water-resistant IP65 housing with UV-stabilized material
- Bright, uniform indicator segments appear gray when off to eliminate false indication from ambient light
- Simple and fast connection with M12 quick-disconnect connector

Models



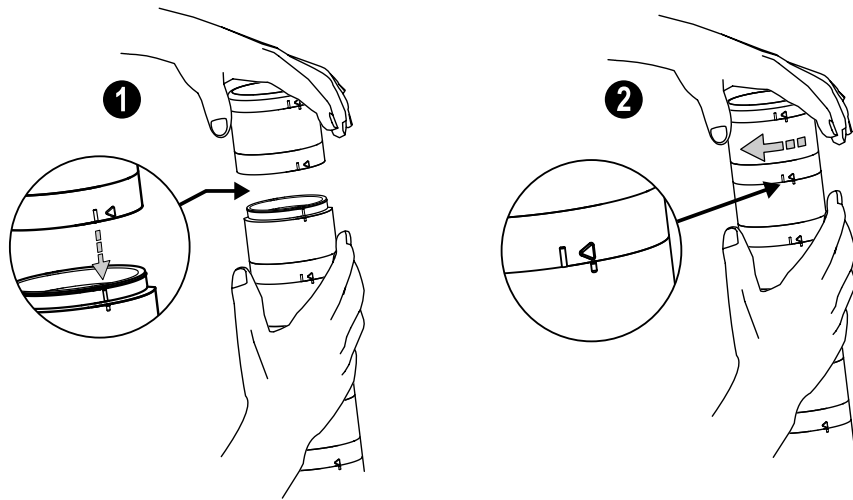
Select the 5-pin base for tower light configurations of up to 4 modules. Select the 8-pin base for tower light configurations of up to 5 modules.

- Example base model number: B-TL70B-Q5
- Example light segment model number: SG-TL70B-G
- Example audible segment model number: SG-TL70B-A

TL70 Basic Pre-Assembled Models

Part Number	Model
814501	TL70B-GYRQ
814502	TL70B-GYRAQ
814503	TL70B-BGYRQ
814504	TL70B-BGYRAQ
814505	TL70B-WBGYRQ

Assembling the Modules



To assemble the modules:

1. Align the notches on each module and press together.
2. Rotate the top module clockwise to lock into place (notches shown in the locked position).

Wiring

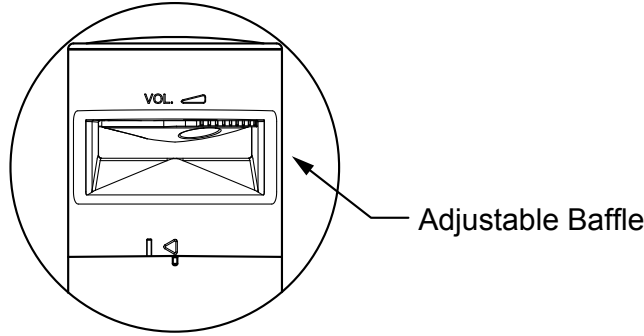
Diagram	5-Pin Pinout	8-Pin Pinout
	<p>1 = Brown (Position 2) 2 = White (Position 3) 3 = Blue (Ground) 4 = Black (Position 1) 5 = Gray (Position 4)</p>	<p>1 = White (Position 3) 2 = Brown (Position 2) 3 = Green (Not used) 4 = Yellow (Position 5) 5 = Gray (Position 4) 6 = Pink (Position 1) 7 = Blue (Ground) 8 = Red (Not used)</p>

Flash/Pulse Control

The DIP switch is located in the TL70B base segment. DIP switch numbers 1-5 correlate to Positions 1-5 (see diagram above). DIP switch number 7 sets a global speed for the flashing function. DIP switch numbers 6 and 8 are not used.

Diagram	DIP Switch Number	Function	Light Segment		Audible Segment	
			On	Off	On	Off
	1-5	Toggle Flash ON/OFF	Flash	Steady	Pulse	Continuous
	7	Toggle Flash Speed	1.5 Hz	3 Hz	1.5 Hz	3 Hz

Adjustable audible baffle - for audible models only



Specifications

Supply Voltage and Current

12 V DC to 30 V DC

Indicator Color or Audible Model	Maximum Current (mA)		
	at 12 V DC	at 24 V DC	at 30 V DC
Blue, White	204	102	82
Red, Orange, Yellow, Green, Violet	141	71	57
Standard Audible	33	17	14

Supply Protection Circuitry

Protected against transient voltages

Indicators

1 to 5 colors depending on model (Green, Red, Yellow, Blue, White, Orange, and Violet)

Flash Rates: 1.5 Hz \pm 10% and 3 Hz \pm 10%

Indicator Response Time

Off Response: 25 μ s (maximum) at 12 V DC to 30 V DC

On Response: 2 ms (maximum) at 12 V DC to 30 V DC

Connections

Integral 5-pin M12 male quick-disconnect connector, integral 8-pin M12 male quick-disconnect connector

Operating Conditions

-40 °C to +50 °C (-40 °F to +122 °F)

95% at +50 °C maximum relative humidity (non-condensing)

Environmental Rating

IP65

Audible Alarm

2.7 kHz \pm 250 Hz oscillation frequency; maximum intensity (typical) 104 dB at 1 m (3.3 ft)

Audible Adjustment

Rotate the audible baffle until the desired volume is reached

Typical Reduction in Sound Intensity with Audible Adjustment (maximum to minimum): 13 dB

Construction

Bases, Segments, Covers: polycarbonate

Vibration and Mechanical Shock

Vibration: 10 Hz to 55 Hz, 0.5 mm peak-to-peak amplitude per IEC 60068-2-6

Shock: 15G 11 ms duration, half sine wave per IEC 60068-2-27

Indicator Characteristics

Color	Dominant Wavelength (nm) or Color Temperature (CCT)	Color Coordinates ⁽¹⁾		Lumen Output (Typical at 25 °C)
		x	y	
Green	525 nm	-	-	67
Red	625 nm	-	-	24
Yellow	590 nm	-	-	55
Blue	475 nm	-	-	25
White	5000 K	-	-	107
Orange	605 nm	-	-	29
Violet	-	0.214	0.133	28

Required Overcurrent Protection



WARNING: Electrical connections must be made by qualified personnel in accordance with local and national electrical codes and regulations.

Overcurrent protection is required to be provided by end product application per the supplied table.

Overcurrent protection may be provided with external fusing or via Current Limiting, Class 2 Power Supply.

Supply wiring leads < 24 AWG shall not be spliced.

For additional product support, go to www.bannerengineering.com.

Supply Wiring (AWG)	Required Overcurrent Protection (A)	Supply Wiring (AWG)	Required Overcurrent Protection (A)
20	5.0	26	1.0
22	3.0	28	0.8
24	1.0	30	0.5

⁽¹⁾ Refer to CIE 1931 chromaticity diagram or color chart, to show equivalent color with indicated color coordinates.

Certifications

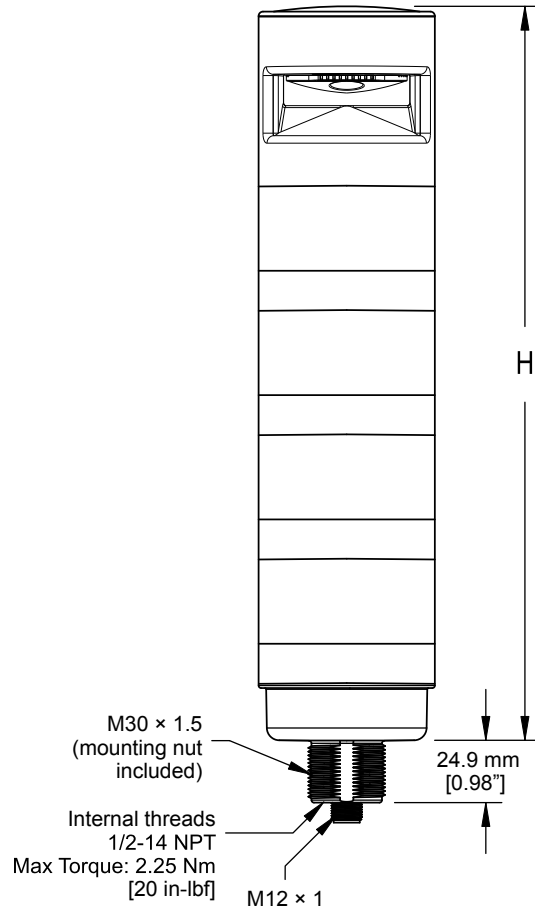


Banner Engineering BV
 Park Lane, Culliganlaan 2F bus 3
 1831 Diegem, BELGIUM



Turck Banner LTD Blenheim House
 Blenheim Court
 Wickford, Essex SS11 8YT
 GREAT BRITAIN

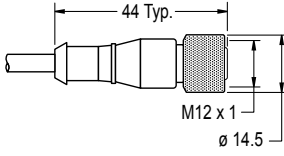
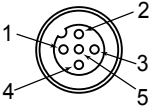
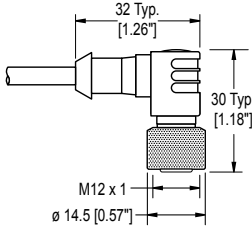
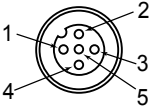
Dimensions

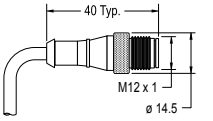
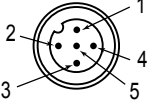
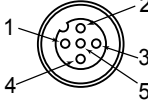


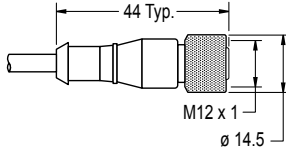
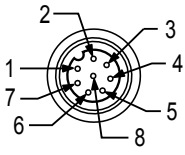
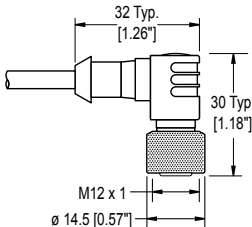
Model	Height (H)
1 light module	87.6 mm (3.45 in)
1 light module, 1 audible module	144.3 mm (5.68 in)
2 light modules	137.3 mm (5.41 in)
2 light modules, 1 audible module	194 mm (7.64 in)
3 light modules	187 mm (7.36 in)
3 light modules, 1 audible module	243.7 mm (9.59 in)
4 light modules	236.7 mm (9.32 in)
4 light modules, 1 audible module	293.4 mm (11.55 in)
5 light modules	286.4 mm (11.28 in)

Accessories

Cordsets

5-Pin Threaded M12 Cordsets—Single Ended					
Model	Length	Style	Dimensions	Pinout (Female)	
MQDC1-501.5	0.5 m (1.5 ft)	Straight		 <p>1 = Brown 2 = White 3 = Blue 4 = Black 5 = Gray</p>	
MQDC1-503	0.9 m (2.9 ft)				
MQDC1-506	2 m (6.5 ft)				
MQDC1-515	5 m (16.4 ft)				
MQDC1-530	9 m (29.5 ft)				
MQDC1-560	18 m (59 ft)				
MQDC1-5100	31 m (101.7 ft)				
MQDC1-506RA	2 m (6.5 ft)	Right-Angle		 <p>1 = Brown 2 = White 3 = Blue 4 = Black 5 = Gray</p>	
MQDC1-515RA	5 m (16.4 ft)				
MQDC1-530RA	9 m (29.5 ft)				
MQDC1-560RA	19 m (62.3 ft)				

5-Pin Threaded M12 Cordsets—Double Ended					
Model	Length	Style	Dimensions	Pinout (Male)	Pinout (Female)
MQDEC-501SS	0.31 m (1.02 ft)	Male Straight/ Female Straight			
MQDEC-503SS	0.91 m (2.99 ft)				
MQDEC-506SS	1.83 m (6 ft)				
MQDEC-512SS	3.66 m (12 ft)				
MQDEC-515SS	5 m (16.4 ft)				
MQDEC-530SS	9 m (29.5 ft)				
MQDEC-550SS	15 m (49.2 ft)				
				<p>1 = Brown 2 = White 3 = Blue</p>	<p>4 = Black 5 = Gray</p>

8-Pin Threaded M12 Cordsets—Single Ended					
Model	Length	Style	Dimension	Pinout (Female)	
MQDC1-803	1 m (3.2 ft)	Straight			
MQDC1-806	2 m (6.5 ft)				
MQDC1-815	5 m (16.4 ft)				
MQDC1-830	9 m (29.5 ft)				
MQDC1-850	15 m (49.2 ft)				
MQDC1-806RA	2 m (6.5 ft)	Right-Angle		<p>1 = White 2 = Brown 3 = Green 4 = Yellow</p> <p>5 = Gray 6 = Pink 7 = Blue 8 = Red</p>	
MQDC1-815RA	5 m (16.4 ft)				
MQDC1-830RA	9 m (29.5 ft)				
MQDC1-850RA	15 m (49.2 ft)				

8-Pin Threaded M12 Cordsets—Double Ended				
Model	Length	Style	Dimensions	Pinout
MQDEC1-803SS	1 m (3.28 ft)	Male Straight / Female Straight		1 = White 2 = Brown 3 = Green 4 = Yellow 5 = Gray 6 = Pink 7 = Blue 8 = Red
MQDEC1-806SS	2 m (6.56 ft)			
MQDEC1-810SS	3 m (9.84 ft)			
MQDEC1-815SS	5 m (16.4 ft)			
MQDEC1-830SS	9 m (29.5 ft)			
MQDEC1-850SS	15 m (49.2 ft)			
MQDEC1-8100SS	30.5 m (100 ft)			
MQDEC1-8200SS	61 m (200 ft)			

Mounting Brackets

All measurements are listed in millimeters, unless noted otherwise.

SMB30A

- Right-angle bracket with curved slot for versatile orientation
- Clearance for M6 (¼ in) hardware
- Mounting hole for 30 mm sensor
- 12-gauge stainless steel

Hole center spacing: A to B=40

Hole size: A=∅ 6.3, B= 27.1 x 6.3, C=∅ 30.5

SMB30MM

- 12-gauge stainless steel bracket with curved mounting slots for versatile orientation
- Clearance for M6 (¼ in) hardware
- Mounting hole for 30 mm sensor

Hole center spacing: A = 51, A to B = 25.4

Hole size: A = 42.6 x 7, B = ∅ 6.4, C = ∅ 30.1

SMBAMS30P

- Flat SMBAMS series bracket
- 30 mm hole for mounting sensors
- Articulation slots for 90°+ rotation
- 12-gauge 300 series stainless steel

Hole center spacing: A=26.0, A to B=13.0

Hole size: A=26.8 x 7.0, B=∅ 6.5, C=∅ 31.0

SSA-MBK-EEC1

- Single 30 mm hole
- 8 gauge steel, black finish (powder coat)
- Front surface for customer-applied labels

Hole size: A = ∅ 7, B = ∅ 30

LMBE12RA35

- Direct mounting of stand-off pipe, with common bracket type
- Zinc-plated steel
- 1/2-14 NPSM nut
- Mounting distance from the wall to the center of the 1/2-14 NPSM nut is 35 mm

Hole center spacing: 20.0

LMBE12RA45

- Direct mounting of stand-off pipe, with common bracket type
- Zinc-plated steel
- 1/2-14 NPSM nut
- Mounting distance from the wall to the center of the 1/2-14 NPSM nut is 45 mm

Hole center spacing: 35.0

Elevated Mount System

Model			Features	Components
SA-M30 - Black Polycarbonate			<ul style="list-style-type: none"> • Streamlined black PC or Gray PC thread cover • Covers M30 thread on the light base • Mounting hardware included 	
Polished 304 Stainless Steel	Black Anodized Aluminum	Clear Anodized Aluminum	<ul style="list-style-type: none"> • Elevated-use stand-off pipe (½ in. NPSM/DN15) • Polished 304 stainless steel, black anodized aluminum, or clear anodized aluminum surface • ½ in. NPT thread at both ends • Compatible with most industrial environments 	
SOP-E12-150SS 150 mm (6 in) long	SOP-E12-150A 150 mm (6 in) long	SOP-E12-150AC 150 mm (6 in) long		
SOP-E12-300SS 300 mm (12 in) long	SOP-E12-300A 300 mm (12 in) long	SOP-E12-300AC 300 mm (12 in) long		
SOP-E12-900SS 900 mm (36 in) long	SOP-E12-900A 900 mm (36 in) long	SOP-E12-900AC 900 mm (36 in) long		
SA-E12M30 - Black Acetal			<ul style="list-style-type: none"> • Streamlined black acetal or white UHMW mounting base adapter/cover • Connects between ½ in. NPSM/DN15 pipe and 30 mm (1-3/16 in) drilled hole • Mounting hardware included 	

Pipe Mounting Flange				
Model	Features	Construction		
SA-F12	<ul style="list-style-type: none"> • Elevated-use stand-off pipes (½ in. NPSM/DN15) • M5 mounting hardware and nitrile gasket included 	Die-cast zinc base with black paint		
SA-F12-3	<ul style="list-style-type: none"> • Elevated-use stand-off pipes (½ in. NPSM/DN15) • M4 mounting hardware and nitrile blend gasket included 	Black Polycarbonate		

Foldable Mounting Brackets			
Model	Features	Construction	
SA-FFB12	<ul style="list-style-type: none"> For use with 1/2 inch stand-off pipes Stainless steel hardware 	Black polycarbonate	

LMB Sealed Right Angle Bracket

Model	Description	Construction	
LMB30RA	Direct-Mount Models: Bracket kit with base, 30 mm adapter, set screw, fasteners, O-rings, and gaskets.	Black polycarbonate	
LMBE12RA	Pipe-Mount Models: Bracket kit with base, 1/2-14 pipe adapter, set screw, fasteners, O-rings, and gaskets. For use with stand-off pipe (listed and sold separately).	Black polycarbonate	

Banner Engineering Corp Limited Warranty

Banner Engineering Corp. warrants its products to be free from defects in material and workmanship for one year following the date of shipment. Banner Engineering Corp. will repair or replace, free of charge, any product of its manufacture which, at the time it is returned to the factory, is found to have been defective during the warranty period. This warranty does not cover damage or liability for misuse, abuse, or the improper application or installation of the Banner product.

THIS LIMITED WARRANTY IS EXCLUSIVE AND IN LIEU OF ALL OTHER WARRANTIES WHETHER EXPRESS OR IMPLIED (INCLUDING, WITHOUT LIMITATION, ANY WARRANTY OF MERCHANTABILITY OR FITNESS FOR A PARTICULAR PURPOSE), AND WHETHER ARISING UNDER COURSE OF PERFORMANCE, COURSE OF DEALING OR TRADE USAGE.

This Warranty is exclusive and limited to repair or, at the discretion of Banner Engineering Corp., replacement. **IN NO EVENT SHALL BANNER ENGINEERING CORP. BE LIABLE TO BUYER OR ANY OTHER PERSON OR ENTITY FOR ANY EXTRA COSTS, EXPENSES, LOSSES, LOSS OF PROFITS, OR ANY INCIDENTAL, CONSEQUENTIAL OR SPECIAL DAMAGES RESULTING FROM ANY PRODUCT DEFECT OR FROM THE USE OR INABILITY TO USE THE PRODUCT, WHETHER ARISING IN CONTRACT OR WARRANTY, STATUTE, TORT, STRICT LIABILITY, NEGLIGENCE, OR OTHERWISE.**

Banner Engineering Corp. reserves the right to change, modify or improve the design of the product without assuming any obligations or liabilities relating to any product previously manufactured by Banner Engineering Corp. Any misuse, abuse, or improper application or installation of this product or use of the product for personal protection applications when the product is identified as not intended for such purposes will void the product warranty. Any modifications to this product without prior express approval by Banner Engineering Corp will void the product warranties. All specifications published in this document are subject to change; Banner reserves the right to modify product specifications or update documentation at any time. Specifications and product information in English supersede that which is provided in any other language. For the most recent version of any documentation, refer to: www.bannerengineering.com.

For patent information, see www.bannerengineering.com/patents.